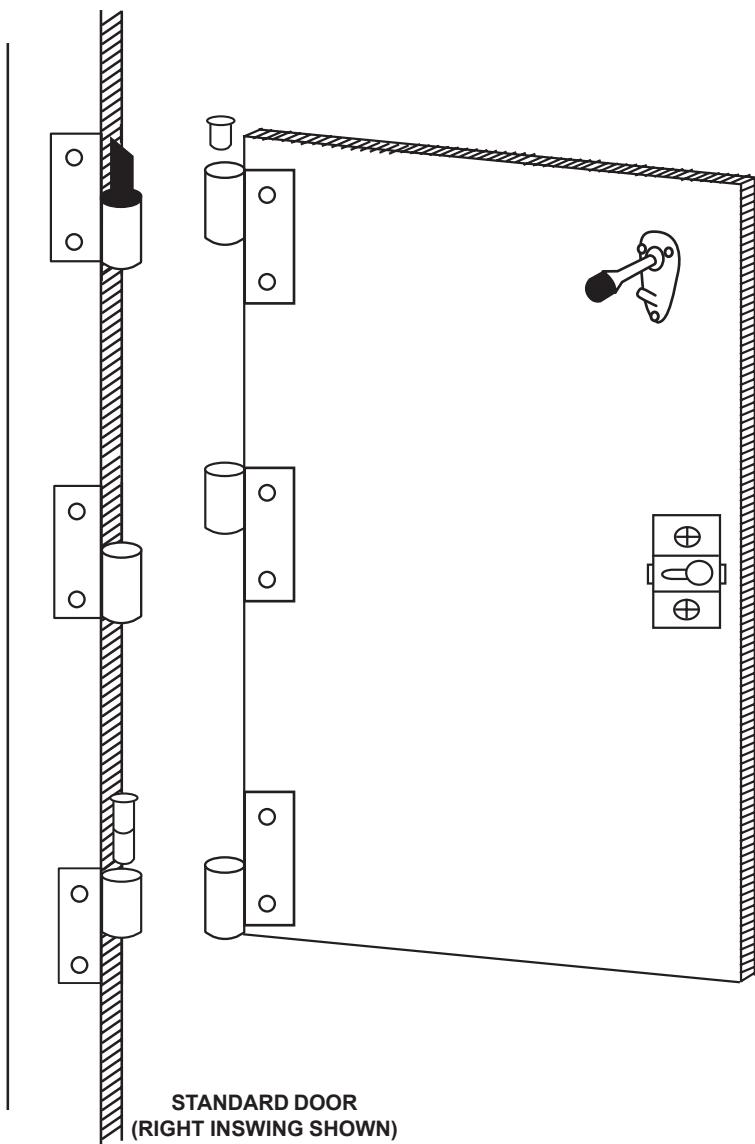


WEIS / **Robart**
Partitions, Inc.
 Since 1876

ERECTION DETAILS AND ELEVATIONS

WEIS/STAINLESS STEEL



CONSULT NATIONAL, STATE & LOCAL BUILDING CODES PRIOR TO ORDERING AND/OR INSTALLING TOILET PARTITIONS.

INSTALL TOILET PARTITIONS AND SCREENS IN STRICT ACCORDANCE WITH APPROVED SHOP DRAWINGS.

INSTALLER SHALL BE QUALIFIED TO INSTALL TOILET PARTITIONS AND HAVE THE EXPERIENCE OF COMPLETING SIMILAR PROJECTS WITHIN THIS INDUSTRY.

DRAW 3
REVISED
08/06 ELP

THE MANUFACTURER RESERVES THE RIGHT TO MAKE CHANGES AND/OR IMPROVEMENTS IN DESIGNS & DIMENSIONS WITHOUT NOTICE AND WITHOUT INCURRING OBLIGATION

WEIS / Robart

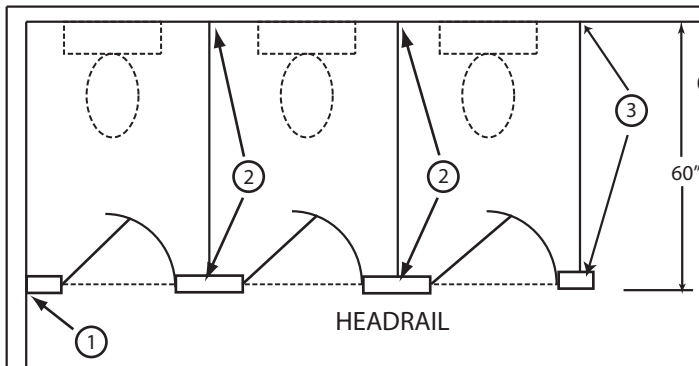
Partitions, Inc.

Since 1876

CONSULT NATIONAL, STATE & LOCAL BUILDING CODES PRIOR TO ORDERING AND/OR INSTALLING TOILET PARTITIONS.

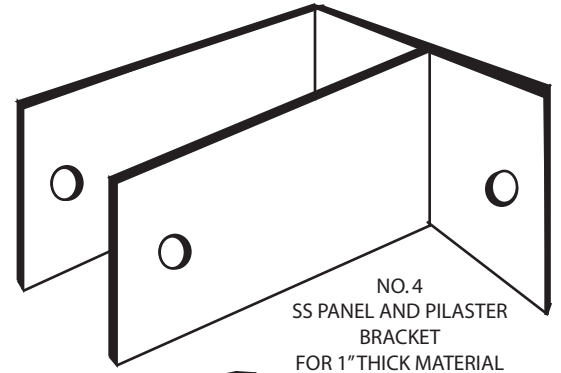
INSTALL TOILET PARTITIONS AND SCREENS IN STRICT ACCORDANCE WITH APPROVED SHOP DRAWINGS.

INSTALLER SHALL BE QUALIFIED TO INSTALL TOILET PARTITIONS AND HAVE THE EXPERIENCE OF COMPLETING SIMILAR PROJECTS WITHIN THIS INDUSTRY.

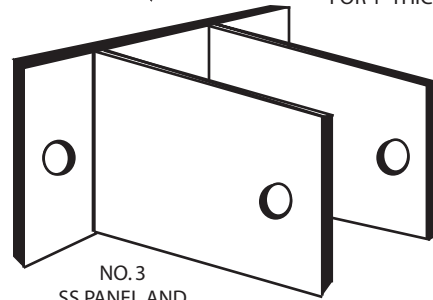


OTHER DEPTHS AVAILABLE

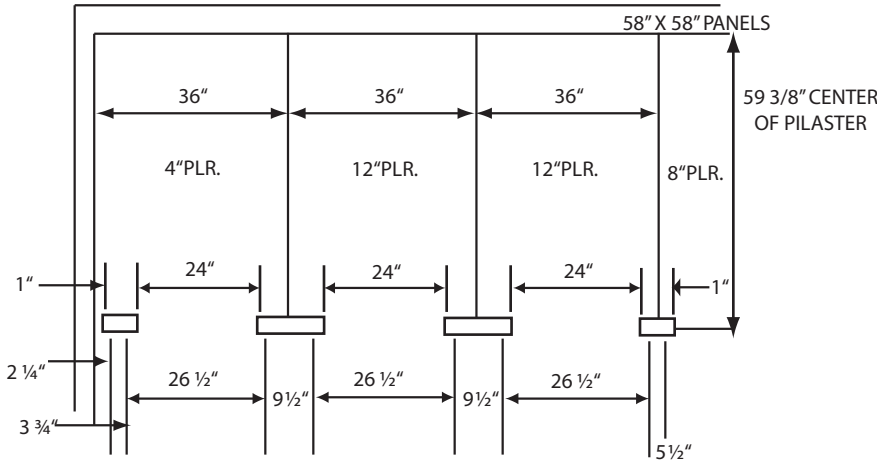
- (1) 19023-01 SS HDWE.KIT WALL STILE
- (2) 19023-02 SS HDWE.KIT INT. PART'N.
- (3) 19023-03 SS HDWE.KIT END PART'N.



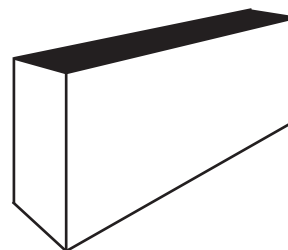
NO. 4
SS PANEL AND PILASTER
BRACKET
FOR 1" THICK MATERIAL



NO. 3
SS PANEL AND
PILASTER BRACKET
FOR 1" THICK MATERIAL

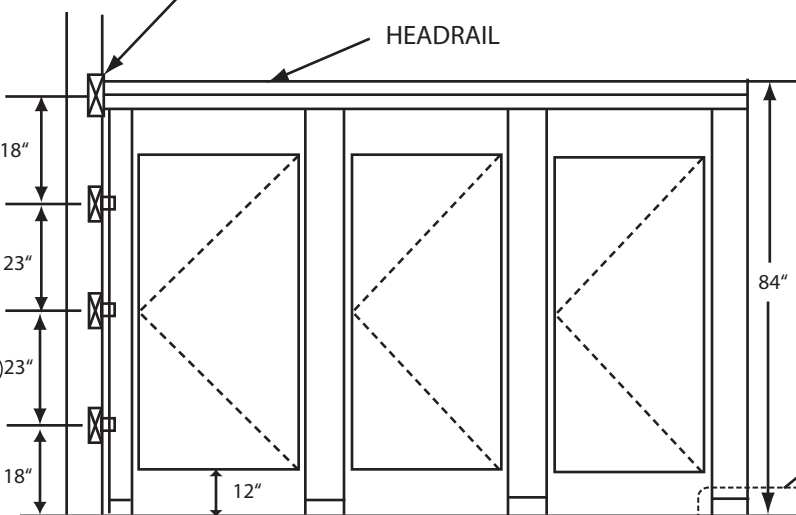


PILASTER FLOOR DRILLING CENTERS



NON-MAGNETIC POLISHED
STAINLESS STEEL 4" HIGH
PILASTER SHOES

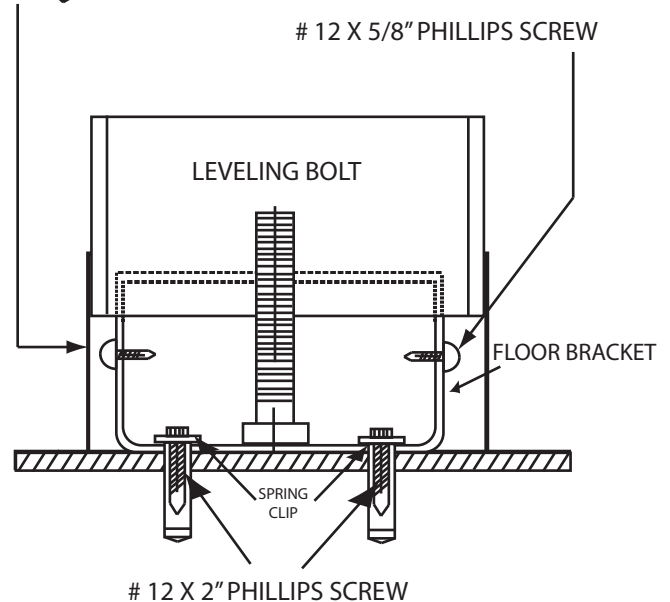
NOTE : WOOD BLOCKING BY OTHERS



(WALL BRACKET LOCATIONS)

STANDARD COMPARTMENT ELEVATION

FOR 3" PILASTER OR SMALLER



12 X 5/8" PHILLIPS SCREW

LEVELING BOLT

FLOOR BRACKET

SPRING CLIP

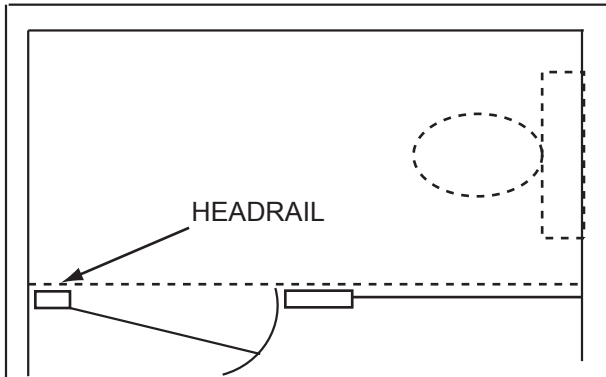
12 X 2" PHILLIPS SCREW

THE MANUFACTURER RESERVES THE RIGHT TO MAKE CHANGES AND/OR IMPROVEMENTS IN DESIGNS & DIMENSIONS WITHOUT NOTICE AND WITHOUT INCURRING OBLIGATION

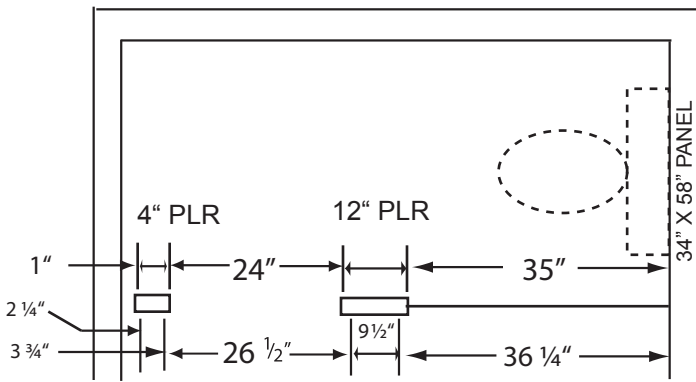
CONSULT NATIONAL, STATE & LOCAL BUILDING CODES PRIOR TO ORDERING AND/OR INSTALLING TOILET PARTITIONS.

INSTALL TOILET PARTITIONS AND SCREENS IN STRICT ACCORDANCE WITH APPROVED SHOP DRAWINGS.

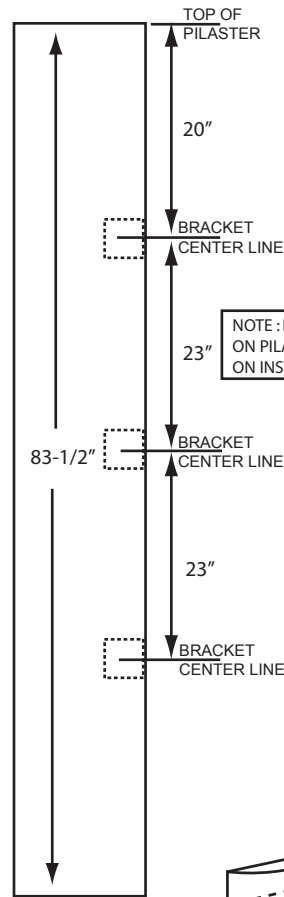
INSTALLER SHALL BE QUALIFIED TO INSTALL TOILET PARTITIONS AND HAVE THE EXPERIENCE OF COMPLETING SIMILAR PROJECTS WITHIN THIS INDUSTRY.



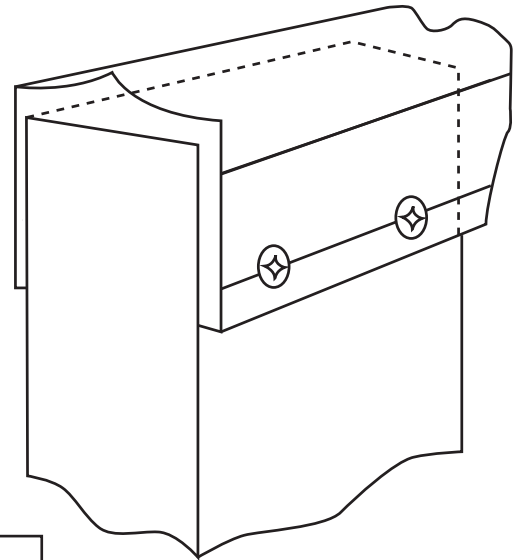
④ 19023-04 SS HDWE. KIT ALCOVE



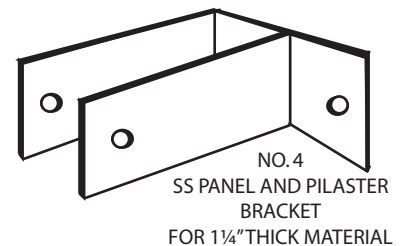
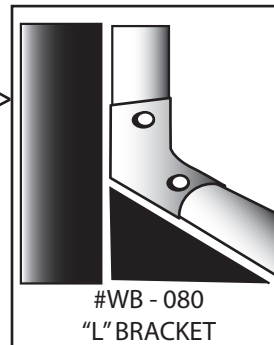
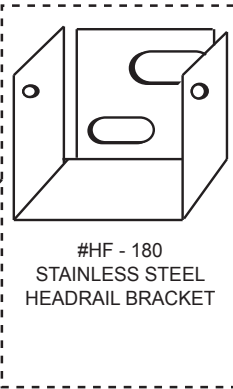
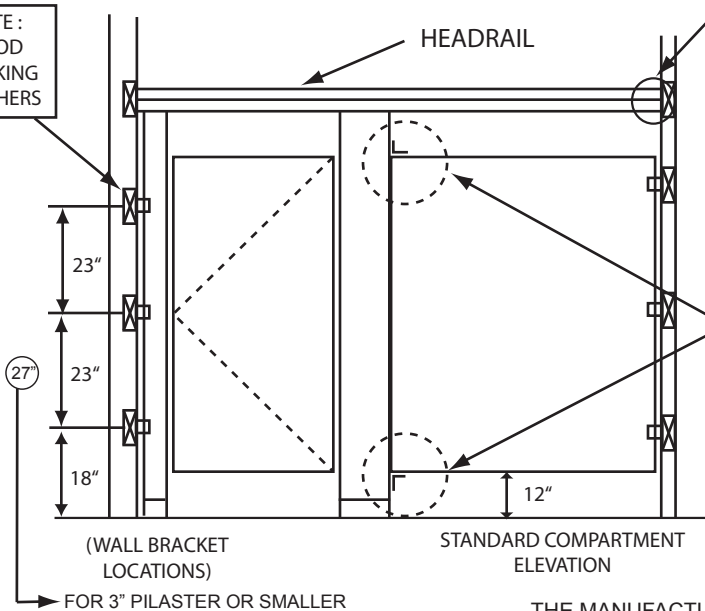
PILASTER FLOOR DRILLING CENTERS



NOTE: LOCATION OF BRACKET ON PILASTER TO BE DETERMINED ON INSTALLATION DRAWING.



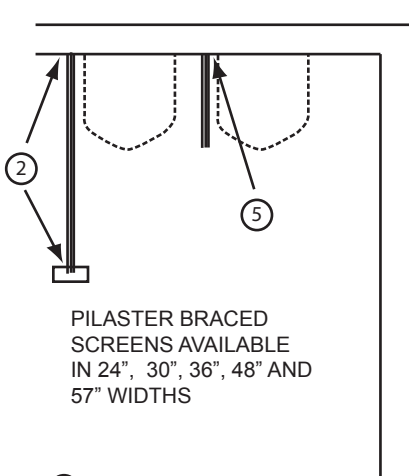
NOTE: WOOD BLOCKING BY OTHERS



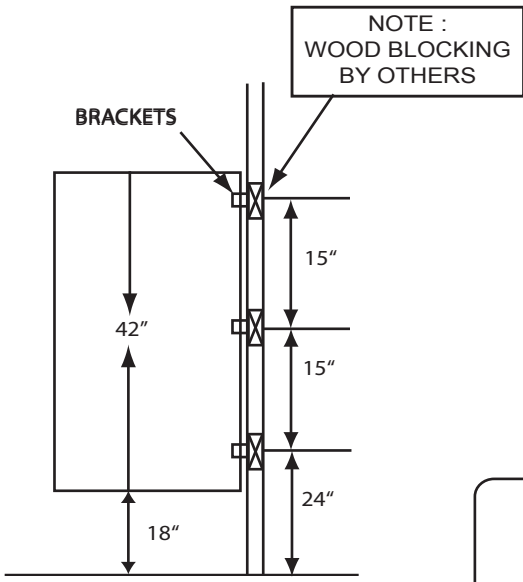
CONSULT NATIONAL, STATE & LOCAL BUILDING CODES PRIOR TO ORDERING AND/OR INSTALLING TOILET PARTITIONS.

INSTALL TOILET PARTITIONS AND SCREENS IN STRICT ACCORDANCE WITH APPROVED SHOP DRAWINGS.

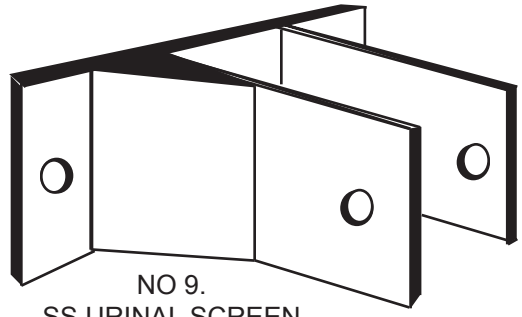
INSTALLER SHALL BE QUALIFIED TO INSTALL TOILET PARTITIONS AND HAVE THE EXPERIENCE OF COMPLETING SIMILAR PROJECTS WITHIN THIS INDUSTRY.



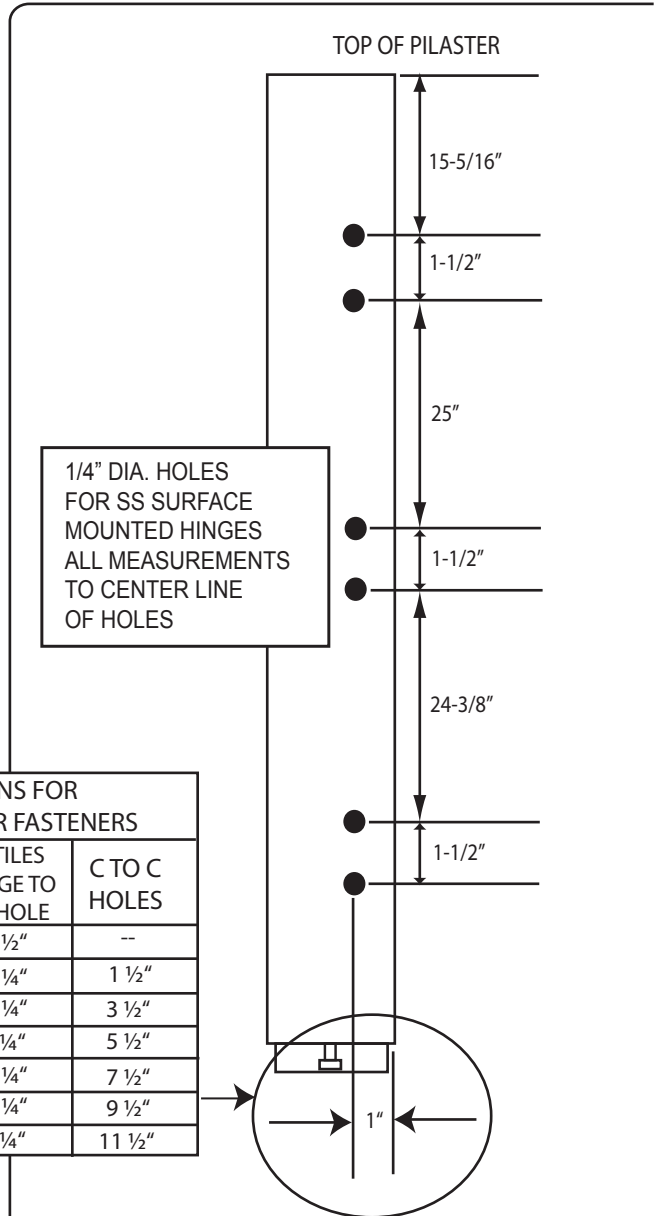
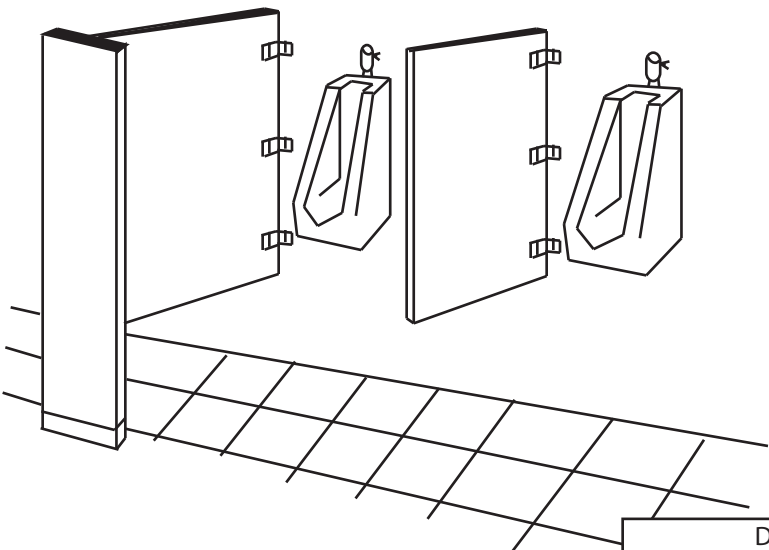
② 19023-02 SS HDWE.KIT



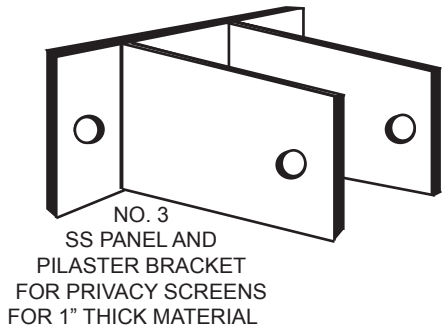
⑤ WALL HUNG SCREEN 24" X 42" AND 18" X 42" 19042-01 SS BRACKET PK.



NO. 9. SS URINAL SCREEN BRACKET FOR WALL HUNG SCREENS FOR 1" THICK MATERIAL



DIMENSIONS FOR DRILLING FLOOR FASTENERS			
STILE SIZE	NO. HOLES	STILES EDGE TO C HOLE	C TO C HOLES
3	1	1 1/2"	--
4	2	1 1/4"	1 1/2"
6	2	1 1/4"	3 1/2"
8	2	1 1/4"	5 1/2"
10	2	1 1/4"	7 1/2"
12	2	1 1/4"	9 1/2"
14	2	1 1/4"	11 1/2"

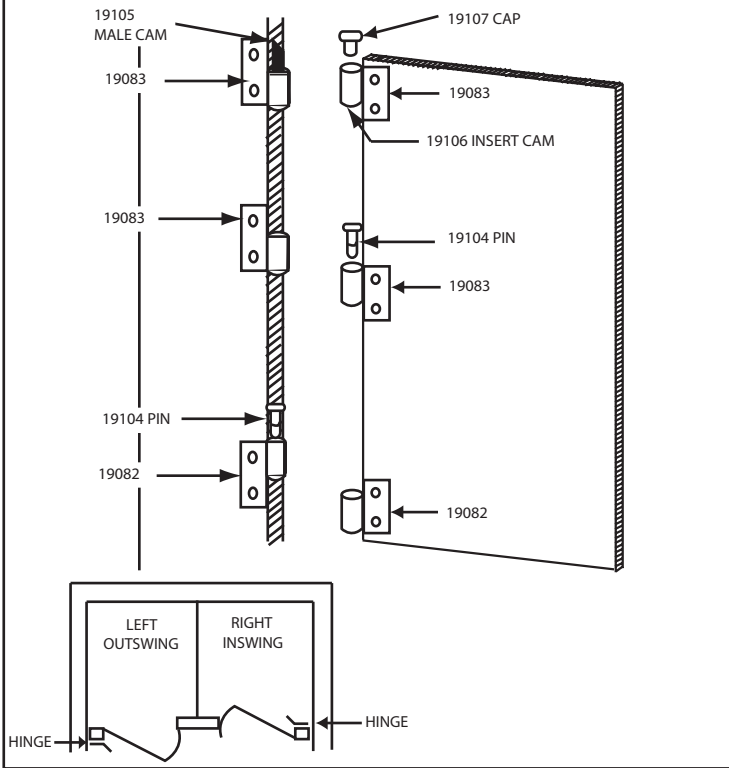


CONSULT NATIONAL, STATE & LOCAL BUILDING CODES PRIOR TO ORDERING AND/OR INSTALLING TOILET PARTITIONS.

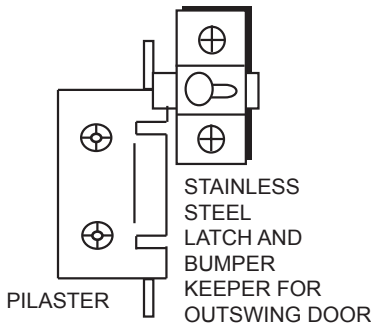
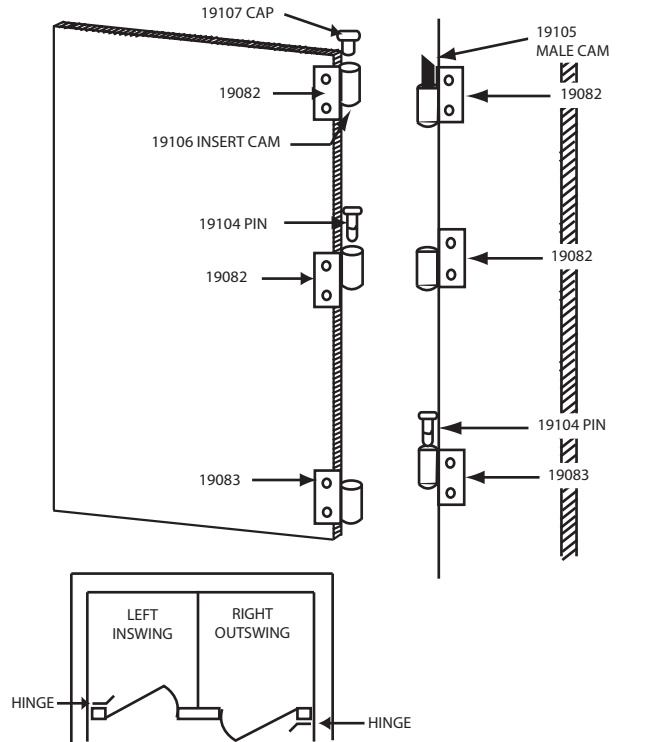
INSTALL TOILET PARTITIONS AND SCREENS IN STRICT ACCORDANCE WITH APPROVED SHOP DRAWINGS.

INSTALLER SHALL BE QUALIFIED TO INSTALL TOILET PARTITIONS AND HAVE THE EXPERIENCE OF COMPLETING SIMILAR PROJECTS WITHIN THIS INDUSTRY.

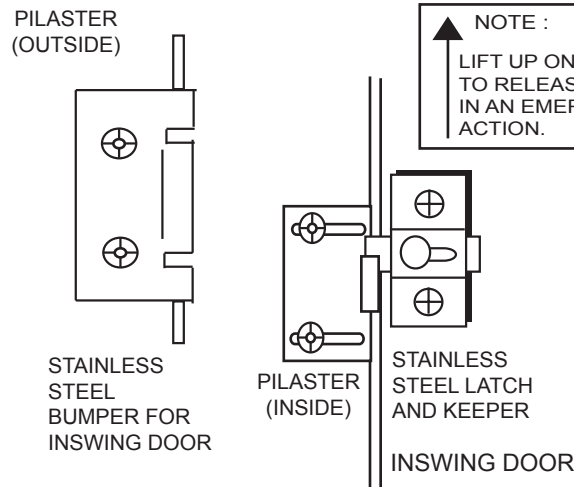
RIGHT HAND INSWING OR LEFT HAND OUTSWING INSTRUCTIONS FOR THREE HINGE INSTALLATION.



LEFT HAND INSWING OR RIGHT HAND OUTSWING INSTRUCTIONS FOR THREE HINGE INSTALLATION.



NOTE :
 ↑ LIFT UP ON DOOR TO RELEASE LATCH IN AN EMERGENCY ACTION.

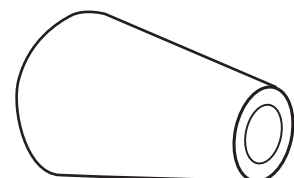


NOTE :
 ↑ LIFT UP ON DOOR TO RELEASE LATCH IN AN EMERGENCY ACTION.

STAINLESS STEEL PULL HANDLES ARE PROVIDED FOR ALL HANDICAPPED DOORS & ALL STANDARD OUTSWING DOORS ONLY.



RUBBER WALL BUMPERS ARE PROVIDED FOR THE HANDICAPPED DOORS AND THE STANDARD OUTSWING DOORS ONLY.



THE MANUFACTURER RESERVES THE RIGHT TO MAKE CHANGES AND/OR IMPROVEMENTS IN DESIGNS & DIMENSIONS WITHOUT NOTICE AND WITHOUT INCURRING OBLIGATION